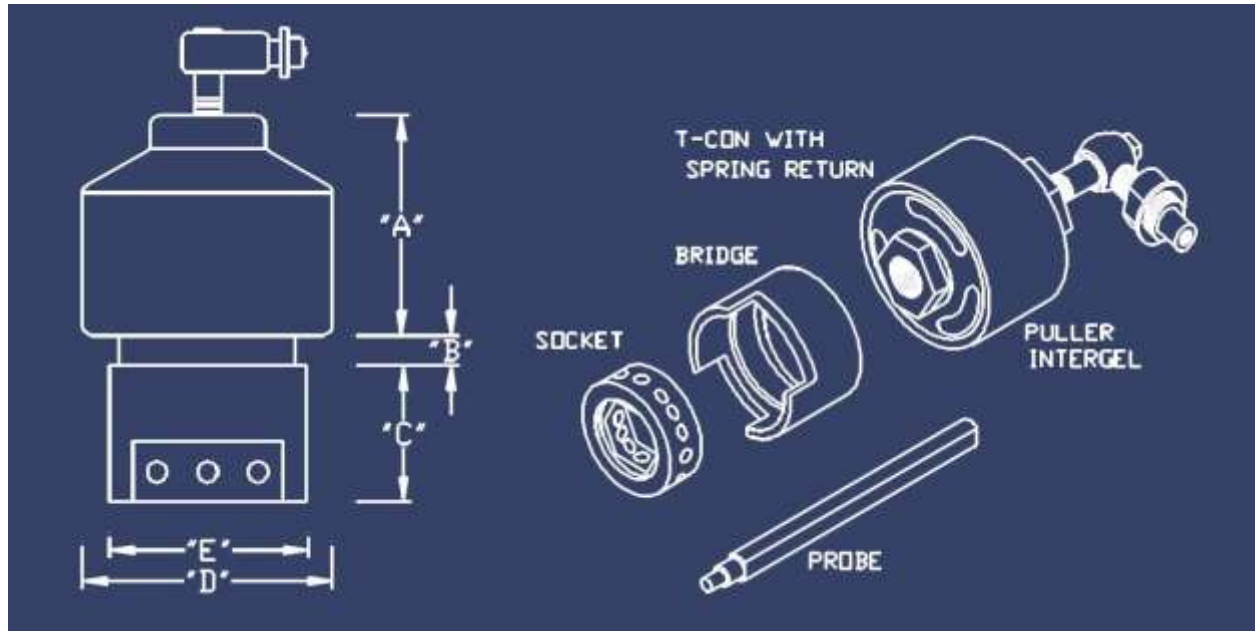


T-CON Hydraulic Bolt Tensioner



T-CON Hydraulic Bolt Tensioner							
T-CON	Bolt diameter	A	B Stroke	C	D	E	Max lbs
100	1.000	2.72	3/8"	1.69	3.12	2.45	42000
112	1.125	3.06	3/8"	1.9	3.51	2.75	60800
125	1.250	3.40	3/8"	2.12	3.90	3.06	75000
137	1.375	3.74	3/8"	2.33	4.28	3.36	90900
150	1.500	4.08	1/2"	2.54	4.67	3.67	112100
162	1.625	4.42	1/2"	2.75	5.06	3.98	126800
175	1.750	4.76	1/2"	2.96	5.45	4.28	144900
187	1.875	5.10	1/2"	3.17	5.84	4.59	172700
200	2.000	5.44	1/2"	3.38	6.23	4.89	205600
225	2.250	6.12	3/4"	3.81	7.01	5.51	258900
250	2.500	6.80	3/4"	4.23	7.79	6.12	314500
275	2.750	7.47	3/4"	4.65	8.57	6.73	380400
300	3.000	8.15	3/4"	5.08	9.35	7.34	451800
325	3.250	8.83	3/4"	5.50	10.13	7.95	534100
350	3.500	9.51	3/4"	5.92	10.91	8.56	628600
375	3.750	10.19	1"	6.35	11.69	9.18	721000
400	4.000	10.87	1"	6.77	12.46	9.79	826700