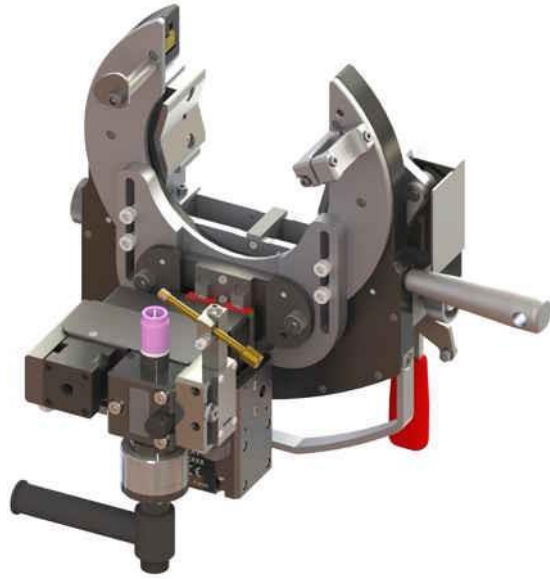


OPEN HEAD PIPE WELDING



Join **experience**

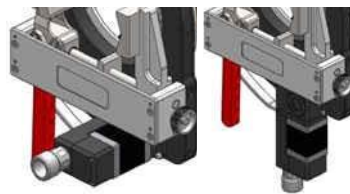
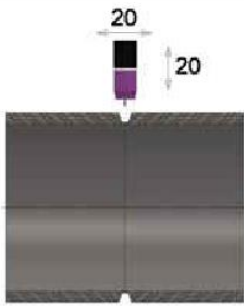
www.axxairusa.com



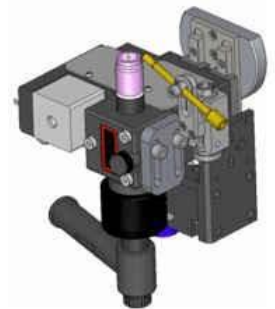
From	0.75"	To	4.5"
OD	19 mm		115 mm

- **Water-cooled** welding torch
- **Multi-pass welding** up to 0.5" wall thickness
- **AVC / OSC module:** 0.787" stroke
- **Symmetrical quick clamping** through lever
- **Motor with encoder:** allows the tungsten to start at any position
- Wide diameter range / very compact design
- **Axial adjustment** of the tungsten
- **Low rotating free space** around the tube
- **Two motor positions** available

Weight: **23 lbs.** 10.6 kg (without cables)



Straight Angle transmission



Oscillation stroke: **0.787"**
AVC stroke: **0.787"**
Max speed: **35 inches/min**

Two motor positions:
Straight motor:
SATO-XXE31
Angle transmission motor:
SATO-XXE32

Operated by AXXAIR power supply: **SASL-200 & SASL-300**

SOAF: **AVC / OSC module**

Reference

Accessories

Consumables

SATF-115E31 (Straight motor)

SATF-115E32 (Angle transmission motor)

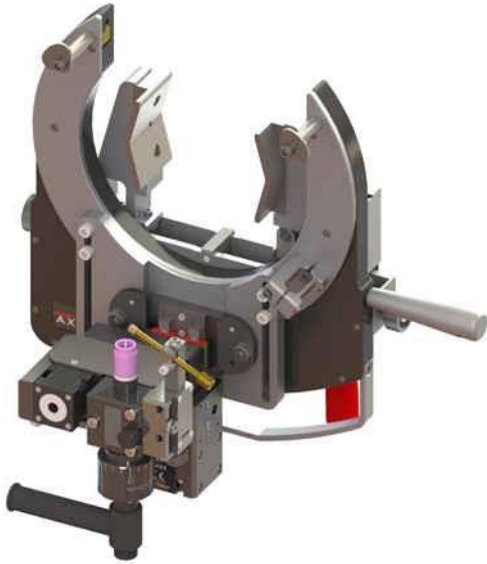
Purge kits
SKIB-01: purge kit with rubber plugs from 0.25" to 1.5" tube OD
SKIF-01: purge kit with membranes from 1.5" to 4.5" tube OD

SAFS-310: 32 ft. Extension bundle for SATO-XXE3X

Exchange kit
SKTD-01: Exchange kit straight torch for 1/16" OD
SKTD-02: Exchange kit straight torch for 3/32" OD

SADF2: External wire feeder

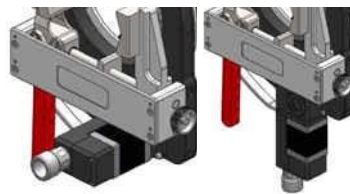
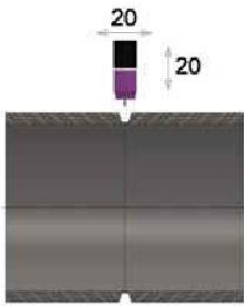
Tungsten
- **SCE16-50:** for 1/16" OD
- **SCE24-50:** for 3/32" OD



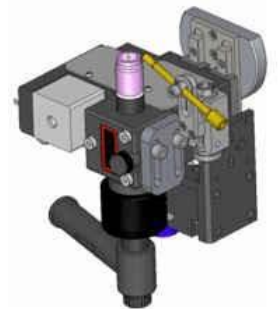
From	1"	To	6.625"
OD	25 mm		170 mm

- **Water-cooled** welding torch
- **Multi-pass welding** up to 0.5" wall thickness
- **AVC / OSC module:** 0.787" stroke
- **Symmetrical quick clamping** through lever
- **Motor with encoder:** allows the tungsten to start at any position
- Wide diameter range / very compact design
- **Axial adjustment** of the tungsten
- **Low rotating free space** around the tube
- **Two motor positions** available

Weight: 27 lbs. 12.7 kg (without cables)



Straight Angle transmission



Oscillation stroke: 0.787"
AVC stroke: 0.787"
Max speed: 35 inches/min

Two motor positions:
Straight motor:
SATO-XXE31
Angle transmission motor:
SATO-XXE32

Operated by AXXAIR
power supply: SASL-200 &
SASL-300

SOAF: AVC / OSC module

Reference

SATF-170E31 (Straight motor)

SATF-170E32 (Angle transmission motor)

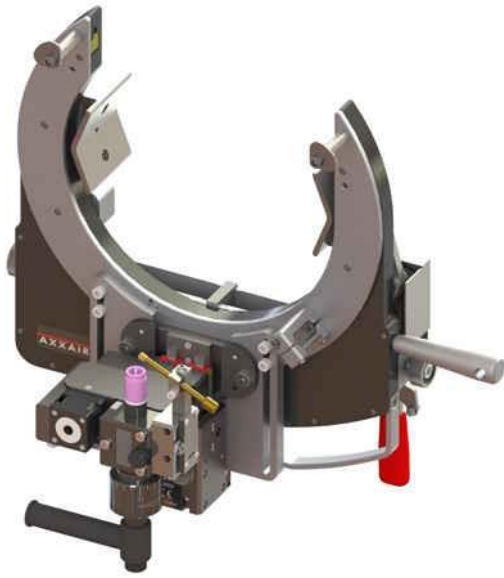
Accessories

- Purge kits
SKIB-01: purge kit with rubber plugs from 0.25" to 1.5" tube OD
SKIF-01: purge kit with membranes from 1.5" to 4.5" tube OD
SAFS-310: 32 ft. Extension bundle for SATO-XXE3X
- Exchange kit
SKTD-01: Exchange kit straight torch for 1/16" OD
SKTD-02: Exchange kit straight torch for 3/32" OD
- SADF2:** External wire feeder

Consumables

- Tungsten
- **SCE16-50:** for 1/16" OD
 - **SCE24-50:** for 3/32" OD

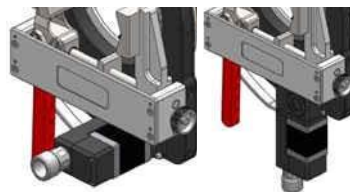
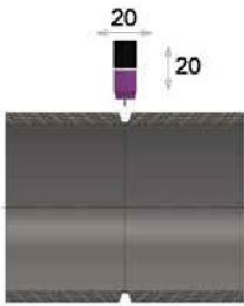




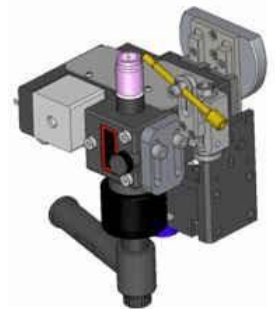
From	1.5"	To	8.625"
OD	38 mm		220 mm

- **Water-cooled** welding torch
- **Multi-pass welding** up to 0.5" wall thickness
- **AVC / OSC module:** 0.787" stroke
- **Symmetrical quick clamping** through lever
- **Motor with encoder:** allows the tungsten to start at any position
- Wide diameter range / very compact design
- **Axial adjustment** of the tungsten
- **Low rotating free space** around the tube
- **Two motor positions** available

Weight: **33 lbs.** 15.1 kg (without cables)



Straight Angle transmission



Oscillation stroke: **0.787"**
 AVC stroke: **0.787"**
 Max speed: **35 inches/min**

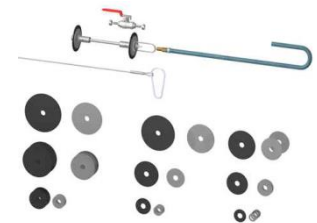
Two motor positions:
Straight motor:
SATO-XXE31
Angle transmission motor:
SATO-XXE32

Operated by AXXAIR
 power supply: **SASL-200 & SASL-300**

SOAF: **AVC / OSC module**

Reference	Accessories	Consumables
<p>SATF-220E31 (Straight motor)</p> <p>SATF-220E32 (Angle transmission motor)</p>	<p><u>Purge kits</u> SKIB-01: purge kit with rubber plugs from 0.25" to 1.5" tube OD SKIF-01: purge kit with membranes from 1.5" to 4.5" tube OD</p> <p>SAFS-310: 32 ft. Extension bundle for SATO-XXE3X</p> <p><u>Exchange kit</u> SKTD-01: Exchange kit straight torch for 1/16" OD SKTD-02: Exchange kit straight torch for 3/32" OD</p> <p>SADF2: External wire feeder</p>	<p><u>Tungsten</u></p> <ul style="list-style-type: none"> - SCE16-50: for 1/16" OD - SCE24-50: for 3/32" OD



**SADF2****SAFS-10MX****SKTD-01**
SKTD-02**VAL-Co06****SKIB-01****SKIF-01****Accessories**

SADF2: External wire feeder

SAFS-310: 32 ft. Extension bundle for SATO-XXE3X

Exchange kit

SKTD-01: Exchange kit straight torch for 1/16" OD

SKTD-02: Exchange kit straight torch for 3/32" OD

Protection case

VAL-Co06: Protection case for shipping and storage for SATO-XXE3X model

Purge kits

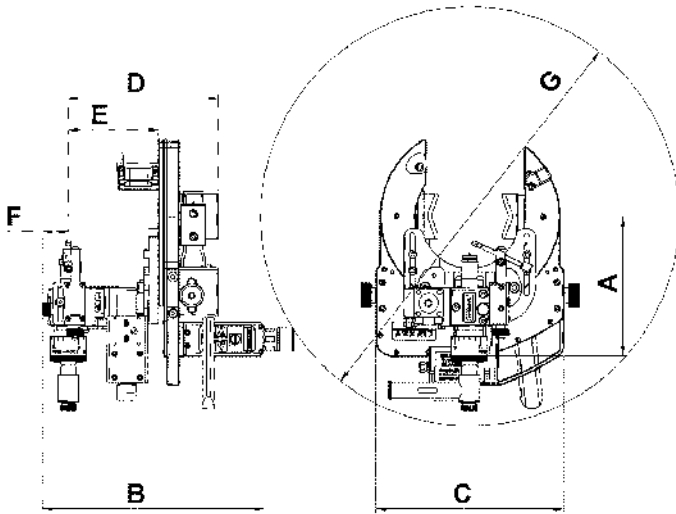
SKIB-01: purge kit with rubber plugs from 0.25" to 1.5" tube OD

SKIF-01: purge kit with membranes from 1.5" to 4.5" tube OD

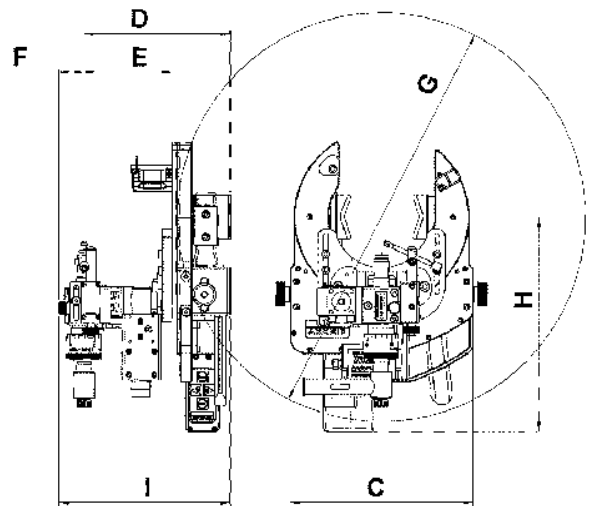


	Min OD	Max OD	Weight
SATO-115E3X	0.75"	4.5"	23 lbs.
SATO-170E3X	1"	6.625"	27 lbs.
SATO-220E3X	1.5"	8.625"	33 lbs.

	A	B	C	D	E	F	G	H	I
SATO-115E3X	6.732"	9.685" - 10.669"	9.055"	5.748" - 6.732"	3.346" - 4.331"	1.240"	26.772"	10.591"	7.638" - 8.622"
SATO-170E3X	7.913"	9.685" - 10.669"	11.417"	5.748" - 6.732"	3.346" - 4.331"	1.240"	29.528"	11.772"	7.638" - 8.622"
SATO-220E3X	8.661"	9.685" - 10.669"	13.780"	5.748" - 6.732"	3.346" - 4.331"	1.240"	31.496"	12.520"	7.638" - 8.622"



SATO-XXE31



SATO-XXE32

